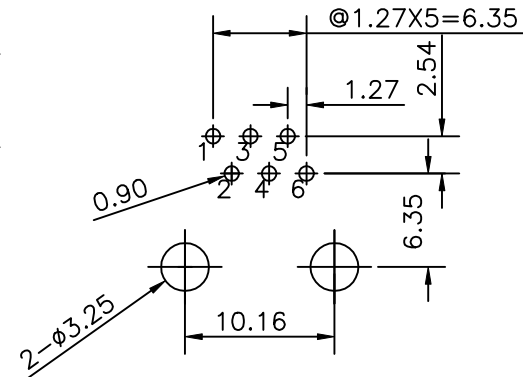
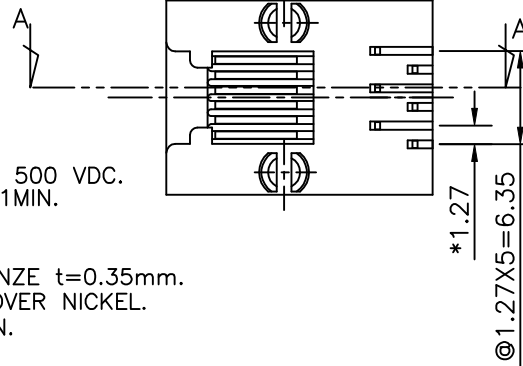
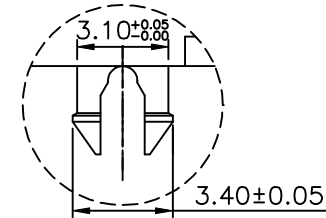
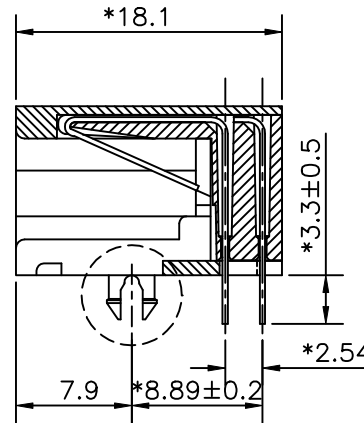
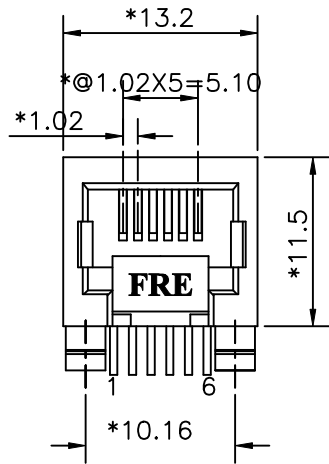


REVISION RECORD				
REV	ECO	DESCRIPTION	DRFT	CHKD
△		DRAWING MODIFY	JMM/11/29/05	
△		DRAWING MODIFY	JMM/12/16/05	



**NOTES:**

ELECTRICAL:

1. VOLTAGE RATING : 125 VAC RMS.
2. CURRENT RATING : 1.5 AMP.
3. CONTACT RESISTANCE : 35 MILLIOHMS MAX.
4. INSULATION RESISTANCE: 1000 MEGOHMS MIN @ 500 VDC.
5. DIELECTRIC STRENGTH : 1000 VAC RMS 60Hz, 1MIN.

MECHANICAL:

1. HOUSING MATERIAL : PBT UL94V-0.
2. CONTACT MATERIAL : PHOSPHOR BRONZE t=0.35mm.
3. PLATING : GOLD PLATING OVER NICKEL.
4. OPERATING LIFE : 750 CYCLES MIN.
5. PCB RETENTION PRE-SOLDER : 1 LB MIN.
6. PCB RETENTION POST-SOLDER: 10 LBS MIN.

ENVIRONMENTAL:

1. STORAGE : -40°C TO +85°C.
2. OPERATION: 0°C TO 70°C.
3. WAVE SOLDERING TEMPERATURE: 230°C TO 250°C 5-10 SENCONDS.

MATES WITH MODULAR PLUG CONFORMING TO FCC PART 68, SUBPART F.

△ ROHS PART NUMBER: E536X-FOXXXX-L

NO OF CONTACT:  
2- 2C  
4- 4C  
6- 6C

- 1- 3u" 2- 6u"
- 3- 15u" 4- 30u"
- 5- 50u"
- 21-PBT+30% W/ FRE LOGO △
- 2R-PBT+30% W/O FRE LOGO △
- B1-PBT+30% YELLOW(HS'G) W/ FRE LOGO △
- C1-PBT+30% GREEN(HS'G) W/ FRE LOGO △
- C2-PBT+30% GREEN W/ FRE LOGO △
- U1-PBT+30% GRAY W/ FRE LOGO △
- UR-PBT+30% BLACK W/O FRE LOGO △
- 0-SINGLE PORT △
- V- SINGLE PORT, COOL GRAY PBT+15% △

← MM (INCH) → TOLERANCES EXCEPT AS NOTED .0 ± 0.2 .00 ± 0.15 .000 ± 0.075		DFTO ANKUE DATE 9/02/2005 CHKDANKUE DATE 2005/12/17 MFO DATE APPVLUSHING DATE 2005/12/17	FULL RISE ELECTRONIC CO., LTD TITLE DEEP TYPE 11.5 SIDE ENTRY 6P	
ANGLES ± THIRD ANGLE PROJECTION		QTY : FINISH : SCALE : 3:1	DRAWING NO. GE533079-LC /PART NO. SEE NOTE	SHEET 1 OF 1 SIZE A3 REV 2
DO NOT SCALE DRAWING			SHEET 1 OF 1	